

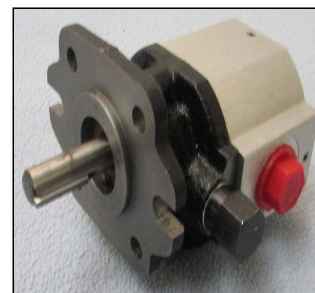
# NORTHPOINTE INDUSTRIES LLC

## Hydraulic Gear Pumps

### Series B1 Fixed Displacement Gear Pumps

#### B1 Features & Benefits

- **High-strength construction** - All B1 Series gear pumps have a Cast Iron front housing, high-strength aluminum alloy gear section, heat-treated alloy steel gears and shafts.
- **Standard features** - Double lip seals, heavy-duty DU bearings, straight, keyed shafts or tang shafts
- **Relief and check valves are built-in**
- **Available in nine displacements** - B1 gear pumps are available in displacements from 0.06 to 0.59 cu.in. / rev.



#### Specifications

<b>Operating Pressure:</b>	Rated 2500PSI; Max. 3600PSI (Tang shaft rating .06 to .37 2500PSI, .47 to .59 2000PSI)
<b>Operating Speed:</b>	2500RPM Rated, 3600RPM Max.
<b>Shafts:</b>	Standard are, .5" Straight Keyed Shaft With .125" Key and .147" Tang Shaft. (.18 Available in Tang Only)
<b>Shaft Rotation:</b>	Keyed, Counterclockwise or Clockwise / Tang, Counterclockwise only
<b>Seals:</b>	Double Lip, Nitrile Rubber Seal – Standard
<b>Bearing:</b>	Four Heavy-duty DU Type Bearings with Pressure Loaded Thrust Plates
<b>Porting</b>	3/8" SAE O-Ring Boss Pressure Port, 1/2" and 5/8" SAE O-Ring Boss Suction Port
<b>Valves:</b>	Built-in Relief Valve and Check Valve.
<b>Weight:</b>	5-7 lbs.
<b>Mounting:</b>	4 Bolt "AA"(1.781" pilot), is Standard; 2 Bolt (2" pilot) Requires Adapter Ring (49878).

#### Displacement

	N06B1	N11B1	N15B1	N18B1	N22B1	N30B1	N37B1	N47B1	N59B1
<b>Displacement in<sup>3</sup>/rev[cm<sup>3</sup>/rev]</b>	.06[.83]	.11[1.80]	.15[2.46]	.18[2.95]	.22[3.61]	.30[4.92]	.37[6.06]	.47[7.70]	.59[9.67]
<b>Gear Width In[mm]</b>	.12[3.0]	.24[6.0]	.29[7.5]	.35[9.0]	.43[11.0]	.59[15.0]	.70[18.0]	.94[24.0]	1.14[29.0]

#### Output Flow/Input Power

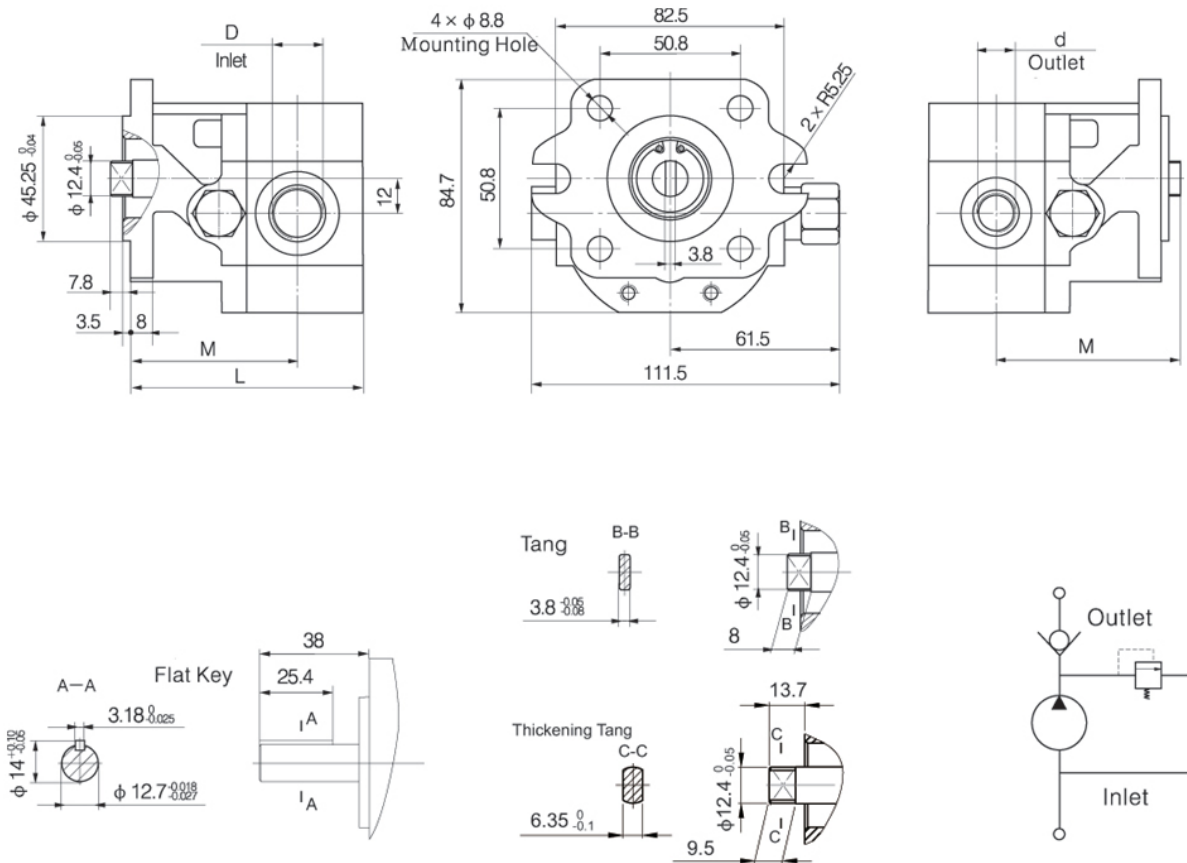
Model	Output Flow, GPM		Output Flow, LPM			Input Power, HP			
	1800 rpm	3600 rpm				2000 PSI		3600 PSI	
			1800 rpm	3600 rpm		1800 rpm	3600 rpm	1800 rpm	3600 rpm
N06 B1	.49	.98	1.76	3.52		.68	1.36	1.12	2.24
N11 B1	.86	1.71	3.24	6.48		1.14	2.28	2.05	4.10
N15 B1	1.17	2.34	4.43	8.86		1.56	3.12	2.81	5.62
N18 B1	1.4	2.8	5.29	10.58		1.86	3.72	3.35	6.70
N22 B1	1.71	3.43	6.48	12.96		2.27	4.54	4.09	8.18
N30 B1	2.34	4.68	8.86	17.71		3.11	6.22	5.60	11.20
N37 B1	2.88	5.77	10.91	21.82		3.83	7.66	6.89	13.78
N47 B1	3.66	7.32	13.86	27.72		4.87	9.74	NA	NA
N59 B1	4.6	9.16	17.39	43.78		6.12	12.24	NA	NA

Email: [northpointe2@msn.com](mailto:northpointe2@msn.com), website: northpointeindustries.com

# Assembly Dimensions

- \***A**, Tang Shaft, 1/2" Dia., 0.149" Wide, 0.31" Extension.
- \*\***B**, Tang Shaft, 1/2" Dia., 0.250" Wide, 0.37" Extension. (Special Order Only)
- \*\*\***C**, Straight Keyed Shaft, 1/2" Dia., 1.5" Extension, 0.12 Square Key.

## Outline Dimension



	06 B1	11 B1	15 B1	18 B1	22 B1	30 B1	37 B1	47 B1	59 B1
<b>Displacement</b> cu. In./rev(ml/rev)	.06[.83]	.11(1.80)	.15(2.46)	.18(2.95)	.22(3.61)	.30(3.61)	.37(6.06)	.47(7.7)	.59(9.67)
<b>Dim L</b> , in.(mm)	3.7(93.8)	3.7(93.8)	3.8(96.3)	3.9(98.3)	3.9(100.3)	4.0(102.3)	4.1(104.2)	4.5(114.3)	4.8(120.8)
<b>Dim M</b> , in.(mm)	2.6(68.3)	2.6(68.3)	2.8(71.8)	2.8(71.8)	2.8(71.8)	2.8(71.8)	2.8(71.8)	3.1(78.8)	3.1(78.8)
<b>Suction Port</b>	1/2" SAE	1/2" SAE	1/2" SAE	1/2" SAE	1/2" SAE	1/2" SAE	1/2" SAE	5/8" SAE	5/8" SAE

Northpointe Industries LLC 2918 Ferguson St. SW C-2 Tumwater, WA 98512,  
PH 360.705.0918 FAX 360.705.1124

Web site [www.northpointeindustries.com](http://www.northpointeindustries.com) e-mail northpointe2@msn.com