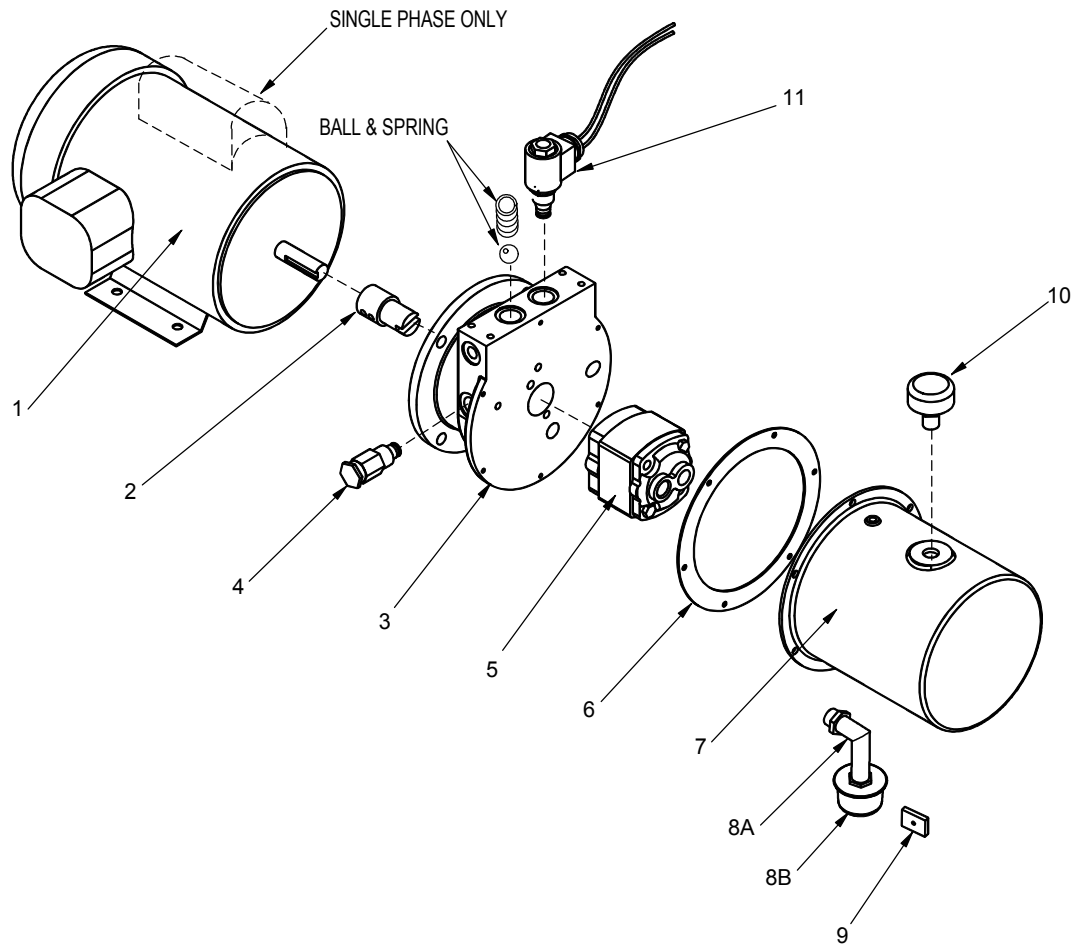


C STYLE



ITEM NUMBER	PART NUMBER	DESCRIPTION	QTY REQUIRED
1	VARIABLES W/ HP & PHASE	56C MOTOR	1
2	163S5051-2	MOTOR HARDWARE KIT	1
3	86395-63U	PUMP/MOTOR ADAPTOR PLATE	1
4	DRV-080-N-H	RELIEF VALVE CARTRIDGE	1
5	N1P-04,06,10,13,16,19,23,26,30,36,49	PUMP	1
6	80086-13	TANK GASKET	1
7	86399-1,-2,-3,-4,-5	TANK	1
8 A & B	86585 & 86110	SUCTION TUBE & SUCTION SCREEN	1
9	86201	TANK MAGNET	1
10	80083-P	TANK BREATHER	1
11	86516-1,-2	SOLENOID CARTRIDGE, COIL, NUT	1