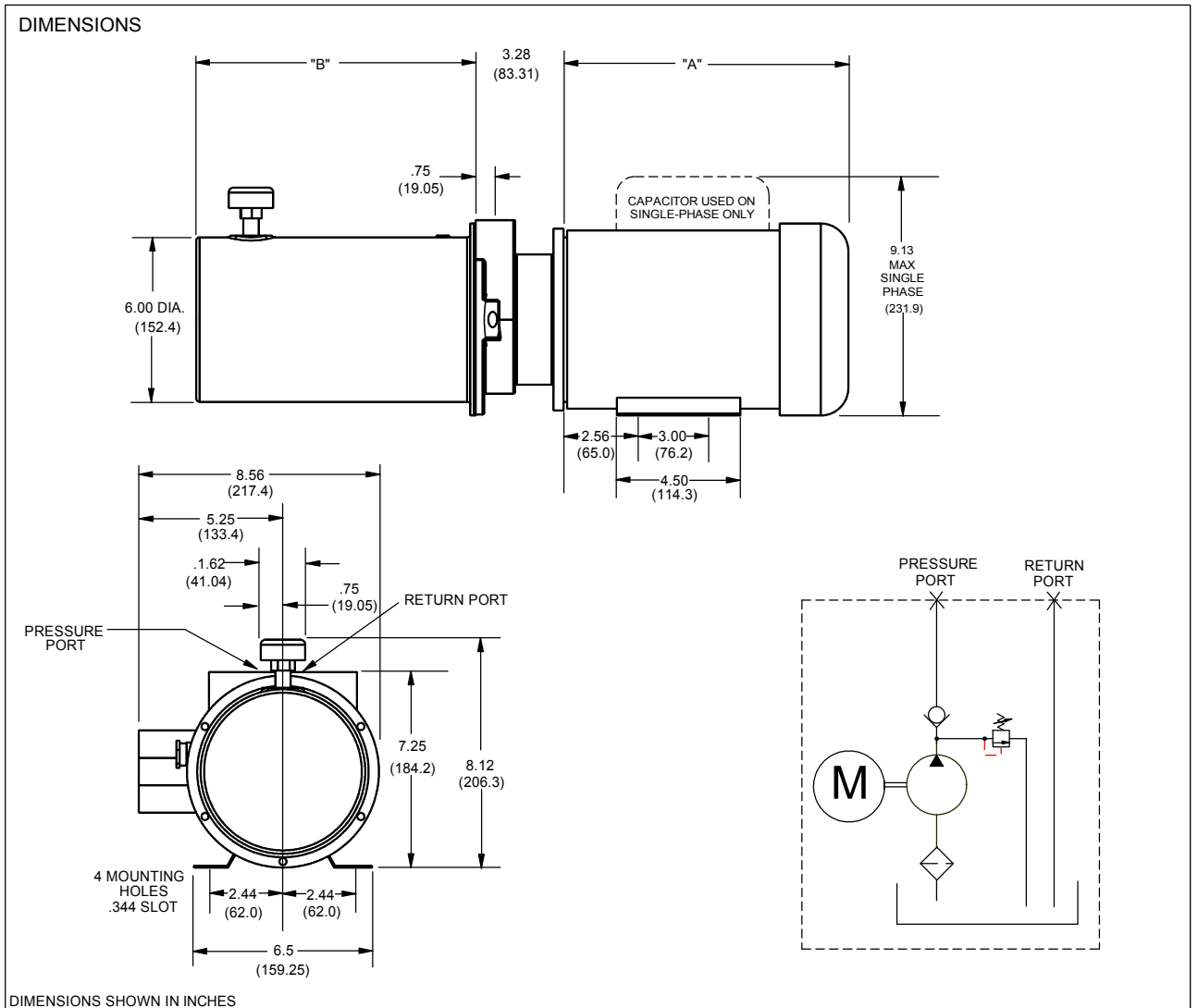


MPT SERIES "A" STYLE

STANDARD UNIT-RELIEF AND CHECK VALVE-WITHOUT CONTROL VALVE ALLOWS USER TO RETAIN HIS OWN CONTROLS OR INSTALL OTHER VALVE OPTIONS. PORTS ARE #8 SAE O'RING BOSS.



MOTOR DIMENSION CHART						
HP	RPM	ENC.	SINGLE PHASE		THREE PHASE	
			CODE	DIM "A" LENGTH	CODE	DIM "A" LENGTH
1/2 HP	1725 RPM	TEFC	050A	9.94"	050B	9.32"
1/2 HP	3450 RPM	TEFC	050T	9.32"	050E	9.32"
3/4 HP	1725 RPM	TEFC	075A	10.41"	075B	9.32"
3/4 HP	3450 RPM	TEFC	075T	9.91"	075E	9.32"
1 HP	1725 RPM	TEFC	100A	11.19"	100B	11.19"
1 HP	3450 RPM	TEFC	100T	10.19"	100E	9.32"
1 1/2 HP	1725 RPM	TEFC	150A	12.06"	150B	12.04"
1 1/2 HP	3450 RPM	TEFC	150T	11.18"	150E	11.19"
2 HP	1725 RPM	TEFC	200A	12.06"	200B	11.19"
2 HP	3450 RPM	TEFC	200T	12.25"	200E	10.79"
3 HP	3450 RPM	TEFC	300T	11.80"	300E	13.25"

*3 HP 1 PHASE ODP

TANK DIMENSION CHART	
HORIZONTAL OR VERTICAL	
TANK CAPACITY GALLONS	TANK LENGTH INCHES
1/2 GAL**	4.50"
3/4 GAL	6.50"
1 GAL	9.25"
1 1/2 GAL	13.5"
2 GAL	17.69"
3 GAL	26"
SPECIAL ORDER	DIMENSIONS
5 GAL VERT.	14.5L 13W 10.5H"
10 GAL VERT.	18L 17W 12H"

**90 DEGREES MOUNT