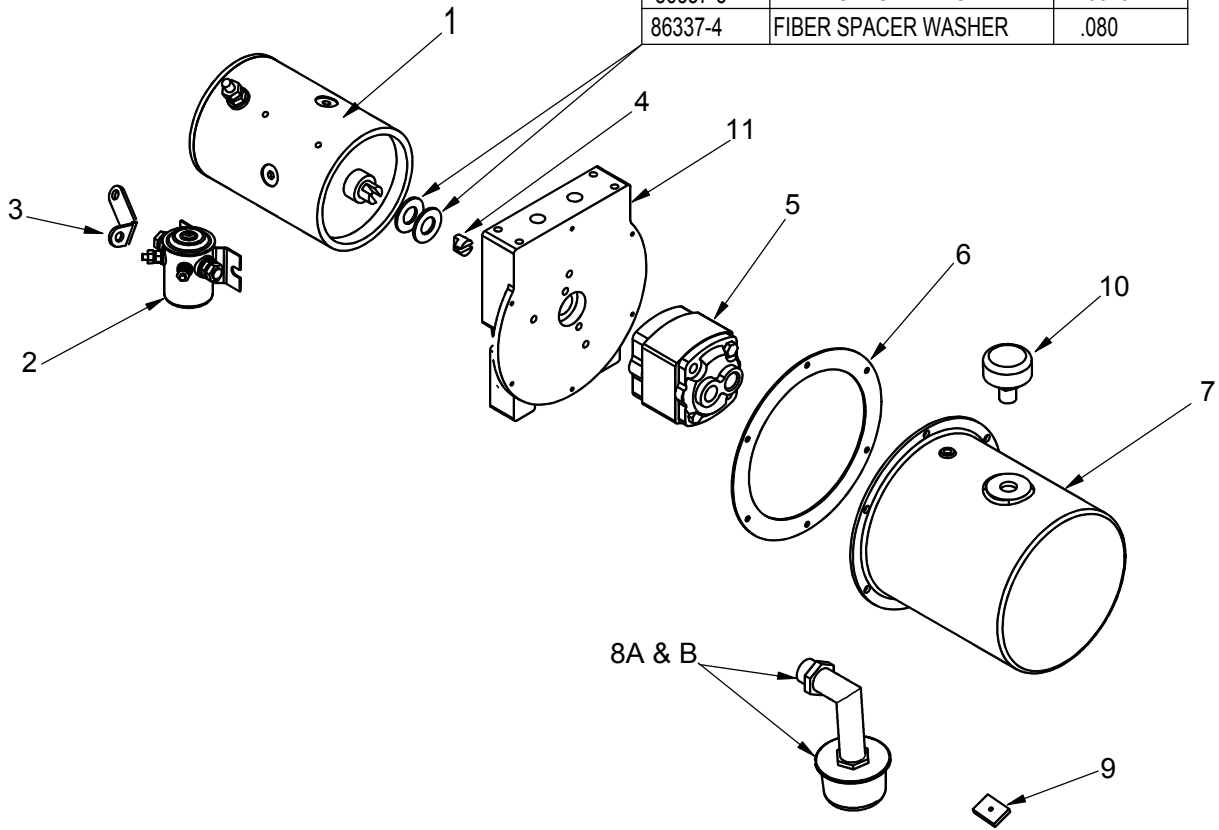


DCMPT 644 & 646 SERIES

PART NO.	DESCRIPTION	THICKNESS
80078-1	STEEL THRUST WASHER	-
86337-1	FIBER SPACER WASHER	.0312
86337-2	FIBER SPACER WASHER	.045
86337-3	FIBER SPACER WASHER	.0625
86337-4	FIBER SPACER WASHER	.080



ITEM NUMBER	PART NUMBER	DESCRIPTION	QTY REQUIRED
1	80064-1 80065-1	12V DC MOTOR 24V DC MOTOR	1
2	86983 80007-3	12V DC SOLENOID 24V DC SOLENOID	1
3	34953	SOLENOID JUMPER	1
4	21118-2	SHORT TANG COUPLER	1
5	N1P-06,10,13,16,23	PUMP	1
6	80086-13	TANK GASKET	1
7	86399-1,-2,-3,-4,-5	TANK	1
8 A & B	86585 & 86110	SUCTION TUBE & SUCTION SCREEN	1
9	86201	TANK MAGNET	1
10	80083-P	TANK BREATHER	1
11	87015-A,-C,-D	CENTER PLATE	1