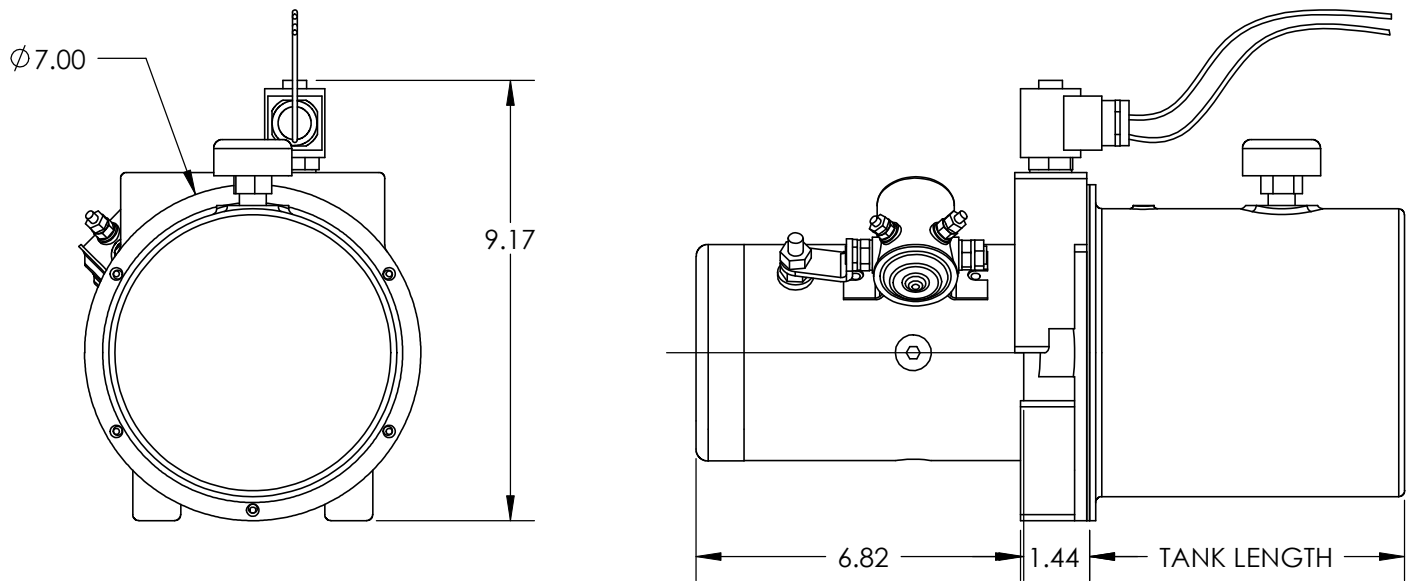


NORTHPOINTE Industries



DCMPT 644 & 646 SERIES C STYLE

TANK DIMENSION CHART	
HORIZONTAL OR VERTICAL	
TANK CAPACITY GALLONS	TANK LENGTH INCHES
1/2 GAL **	4.50"
3/4 GAL	6.50"
1 GAL	9.25"
1 1/2 GAL	13.5"
2 GAL	17.69"
3 GAL	26"
SPECIAL ORDER	DIMENSIONS
5 GAL VERT.	14.5L 13W 10.5H"
10 GAL VERT.	18L 17W 12H"